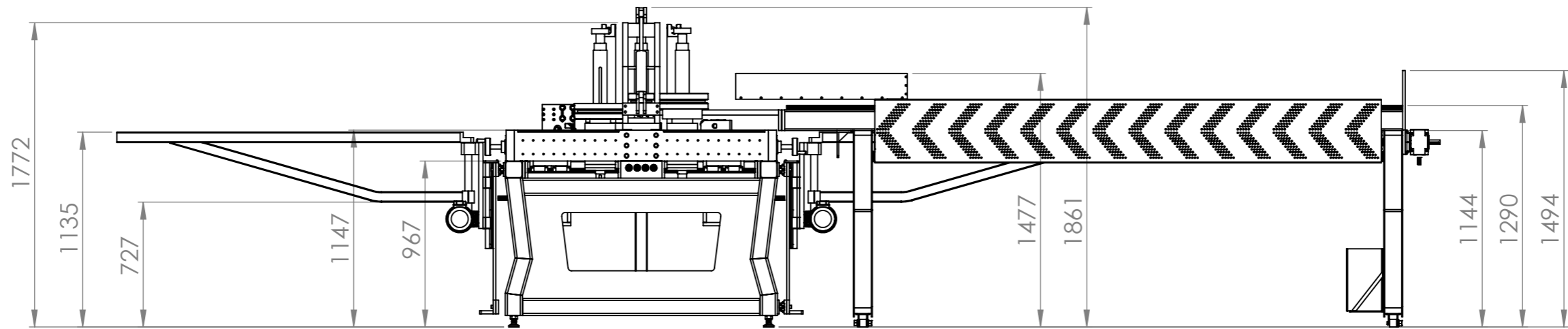


8 7 6 5 4 3 2 1

F

F

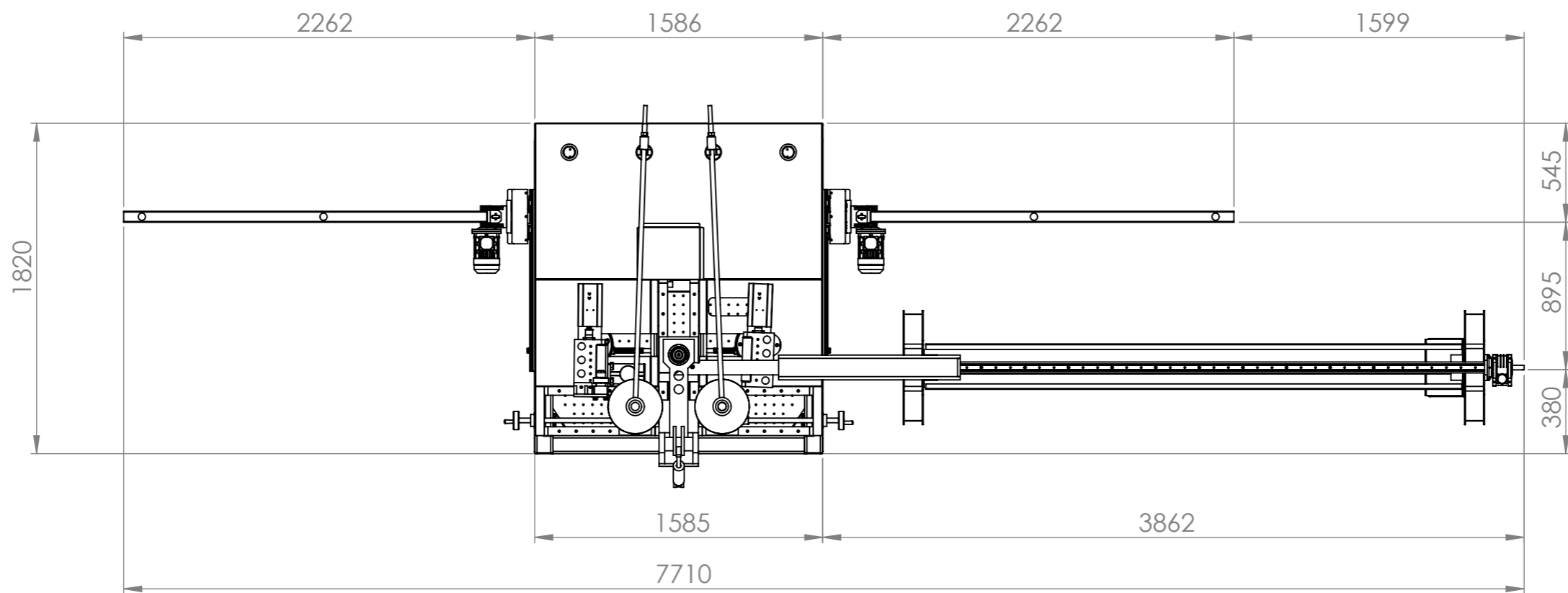


E

E

D

D



C

C


B

B

A

A

8 7 6 5 4 3 2 1

	NAME	SIGNATURE	DATE		TITLE:
DRAWN					
CHK'D					
APPV'D					
MFG					
Q.A					
				MATERIAL:	DWG NO.
					AL-2e
				WEIGHT:	SCALE:1:30
					SHEET 2 OF 2
					A3