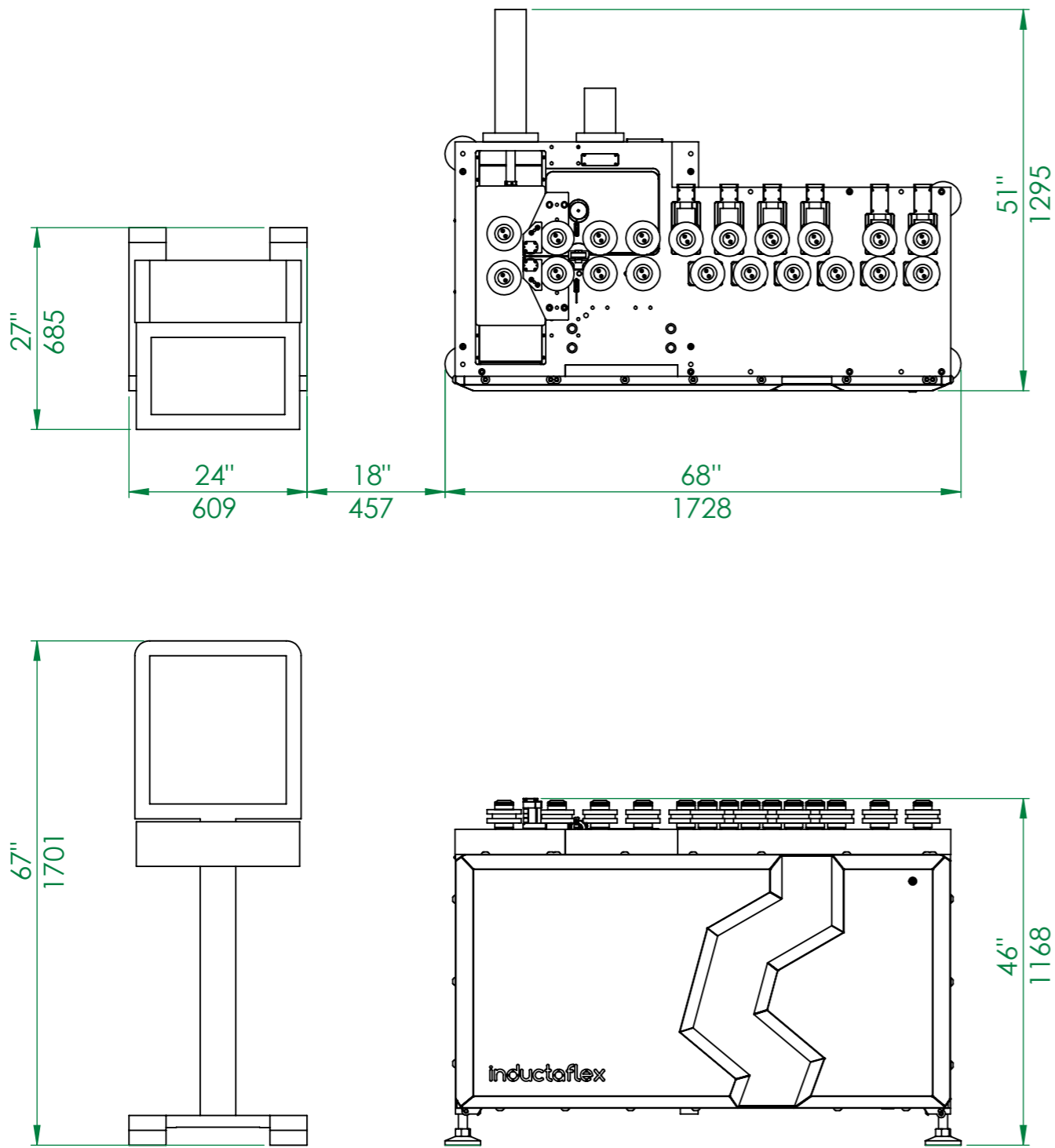
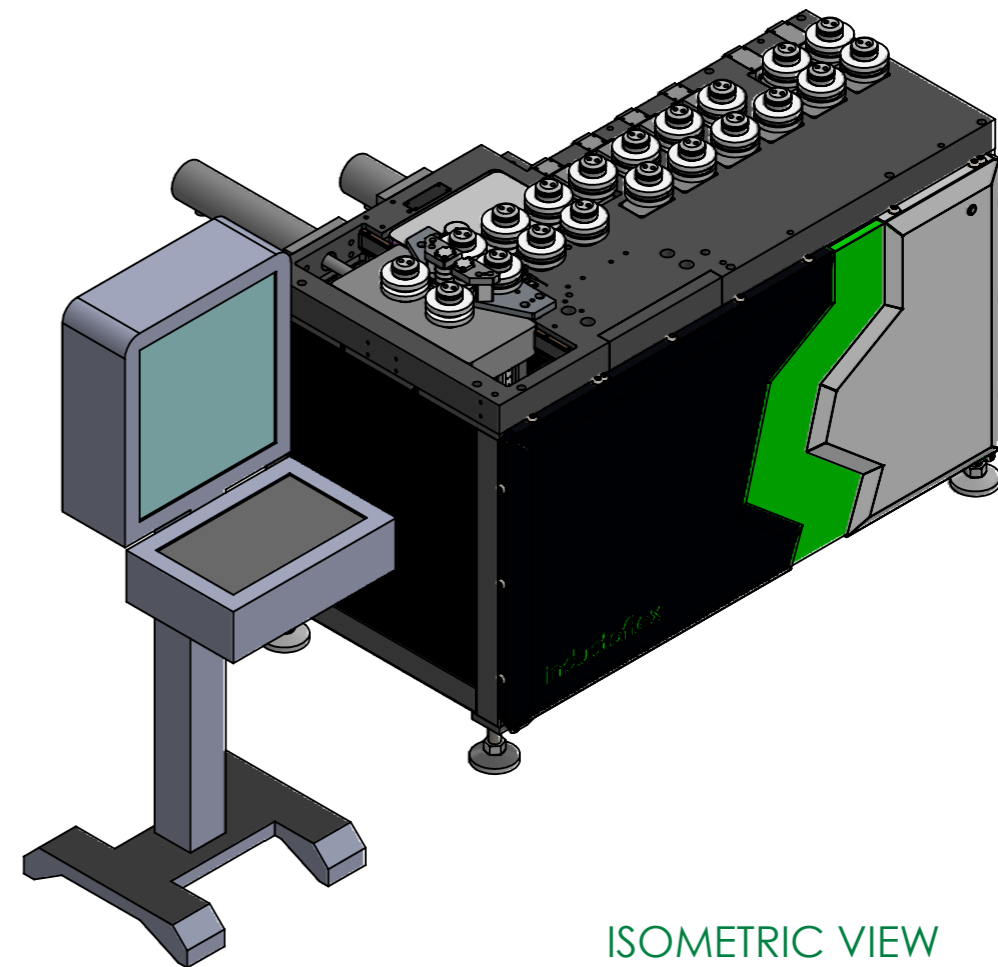


These drawings and designs are copyrighted, and must not be copied or reproduced.



POWER REQUIREMENT			
Option	Voltage (V)	Frequency (Hz)	Current (Amps)
1	480	50/60	32
2	420	50/60	32
3	400	50/60	32



Extra notes:
 1. shipping box size: 80" x 78" x60" (2032mm x 1981mm x 1524 mm)

Unit	Inch/mm	Name	Date	Sign	inductaflex					
Drawn		Phantom	4/18/2025		Air supply:		3 bar	Q'TY	N/A	
1st Checked		Phantom	4/18/2025		Weight:		1600kg (3527 lbs)	Sheet	1/1	
2nd Checked		Felix						Rev	00	
Final Approved		Craig Barnshaw								
					PLAN VIEW				S10T	
Scale	1:20									